

Date: 08/05/2024

Job number :

Customer details:

Batten

Vehicle details:

HY67 KVJ, Ford B-MAX

Service schedule

Service schedule according to manufacturer's recommendation and specification.

Service type With convenience checks - customer options

Service interval 87500 miles 84 months

Total time - 1.70 hrs

VEHICLE ON FLOOR

Outstanding campaigns and recalls	Check	<input checked="" type="checkbox"/>
Parking brake travel	Check/adjust	<input checked="" type="checkbox"/>
Seatbelts/mountings	Check/report	<input checked="" type="checkbox"/>
Instruments/warning lamps	Check/report	<input checked="" type="checkbox"/>
Horn	Check/report	<input checked="" type="checkbox"/>
Interior lamps	Check/report	<input checked="" type="checkbox"/>
Front wiper blades !	Check/report	<input checked="" type="checkbox"/>

! Important

Includes checking condition of windscreen

Rear wiper blade	Check/report	<input checked="" type="checkbox"/>
Wash/wipe systems	Check/report	<input checked="" type="checkbox"/>
Instrument illumination	Check/report	<input checked="" type="checkbox"/>
Direction indicators/hazards	Check/report	<input checked="" type="checkbox"/>
Lighting system	Check/report	<input checked="" type="checkbox"/>
Headlight levelling system	Check	<input checked="" type="checkbox"/>
Headlights	Check/report	<input checked="" type="checkbox"/>
Body work/paint !	Check condition	<input checked="" type="checkbox"/>

! Important

May need to be carried out by an authorised repairer/dealer, refer to bodywork/paint warranty terms and conditions. Additional charge may apply

VEHICLE FULLY RAISED

Underbody wiring harness	Check/report	<input checked="" type="checkbox"/>
Underbody pipes and hoses	Check/report	<input checked="" type="checkbox"/>
Engine oil leaks	Check/report	<input checked="" type="checkbox"/>
Engine oil	Drain/refill	<input checked="" type="checkbox"/>

More information

Engine oil

Ambient temperature range	All temperatures
Engine oil grade	SAE 5W-20 Synthetic
Engine oil classification	OEM WSS-M2C948-B
Ambient temperature range	All temperatures
Engine oil grade	SAE 5W-30 Synthetic
Engine oil classification	OEM WSS-M2C913-C
Engine with filter(s)	litres 4,1
Sump drain bolt	28 Nm

Engine oil filter

Renew **More information****Engine oil filter**

Oil filter 15 Nm

Dual clutch transmission (DCT) oil leaks	Check/report <input checked="" type="checkbox"/>
Steering joints	Check/report <input checked="" type="checkbox"/>
Steering rack/box	Check/report <input checked="" type="checkbox"/>
Steering column couplings	Check/report <input checked="" type="checkbox"/>
Suspension joints/seals/gaiters	Check/report <input checked="" type="checkbox"/>
Drive shaft joints/seals/gaiters	Check/report <input checked="" type="checkbox"/>
Road springs	Check/report <input checked="" type="checkbox"/>
Shock absorbers/mountings	Check/report <input checked="" type="checkbox"/>
Exhaust system/mountings	Check/report <input checked="" type="checkbox"/>
Fuel system leakage	Check/report <input checked="" type="checkbox"/>
Underbody condition/sealant !	Check/report <input checked="" type="checkbox"/>

! Important

May need to be carried out by an authorised repairer/dealer, refer to bodywork/paint warranty terms and conditions. Additional charge may apply

VEHICLE HALF RAISEDFront brake pads Check/report **More information****Front brake pads**

Road wheels 135 Nm

Important**Road wheels**

- Do NOT lubricate studs, nuts or mating surfaces.

Minimum pad thickness Front 3 mm

Front brake discs Check/report **More information****Front brake discs**

Brake caliper to carrier	Front 26 Nm
Brake caliper/carrier to hub	Front 70 Nm
Road wheels	135 Nm

Important**Road wheels**

- Do NOT lubricate studs, nuts or mating surfaces.

Minimum disc thickness for replacement - ventilated	Front 21 mm
Disc thickness variation	Front 0,009 mm
Disc runout	Front 0,03 mm

Rear brake drums/linings/cylinders !

Check/report **! Important**

Only in event of leakage

More information**Rear brake drums/linings/cylinders**

Road wheels	135 Nm
-------------	--------

Important**Road wheels**

- Do NOT lubricate studs, nuts or mating surfaces.

Maximum drum diameter for replacement	Rear 230,2 mm
Minimum shoe thickness	Rear 1 mm

Brake hydraulic system

Check/report

Tyre condition

Check/report

Tyre pressures

Check/adjust

Tyre pressure monitoring system !

Reset **! Important**

Where fitted

ENGINE BAY OPERATIONS

Battery electrolyte level

Check/top-up

Battery condition/specific gravity !

Check/report **! Important**

Visual check for leaks

Engine bay wiring/connections

Check

Engine bay pipes and hoses

Check/report

Washer bottle(s)

Check/top-up

Brake fluid reservoir

Check/top-up

More information

Brake fluid reservoir

Brake fluid	Type DOT 4 LV
Brake fluid classification	WSS-M6C65-A2

Cooling system leakage Check/report

Engine coolant/anti-freeze Check/top-up

More information

Engine coolant/anti-freeze

Coolant	Type WSS-M97B44-D
Coolant	Colour Orange
Cooling system - total capacity	litres 5,5

Air conditioning Check/report

! Important
Check temperature of air flow and visually check system every 36 months. May be carried out at customer's request at any other service

Air conditioning deodoriser Apply

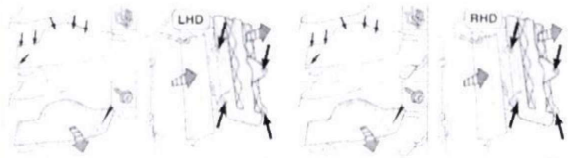
! Important
At customer's request

FINAL ITEMS CHECK

Cabin filter (if fitted) Renew

! Important
Upgrade options for the cabin filter may be available

More information



Cabin filter • Cabin filter

Engine oil change indicator Reset

! Important
Where fitted

Headlamp alignment Check/adjust

! Important
Adjustment at additional charge

First aid kit and expiry date, if applicable (___/___/20__)
Check/report

High visibility vest, if applicable

Check/report

Warning triangle, if applicable

Check/report

Tyre repair canister expiry date (10/2029)

Check/report

Vehicle inspection (MOT) due date, if applicable (/ /20)

Check/report

Exhaust emissions test due date, if applicable (/ /20)

Check/report

ROAD TEST VEHICLE

Vehicle handling/operation/performance

Check/report

Total time - 1.70 hrs

Parts

Engine oil - Drain/refill

Engine oil filter - Renew

Battery top up fluid - Check/top-up

Screen wash - Check/top-up

Brake fluid - Check/top-up

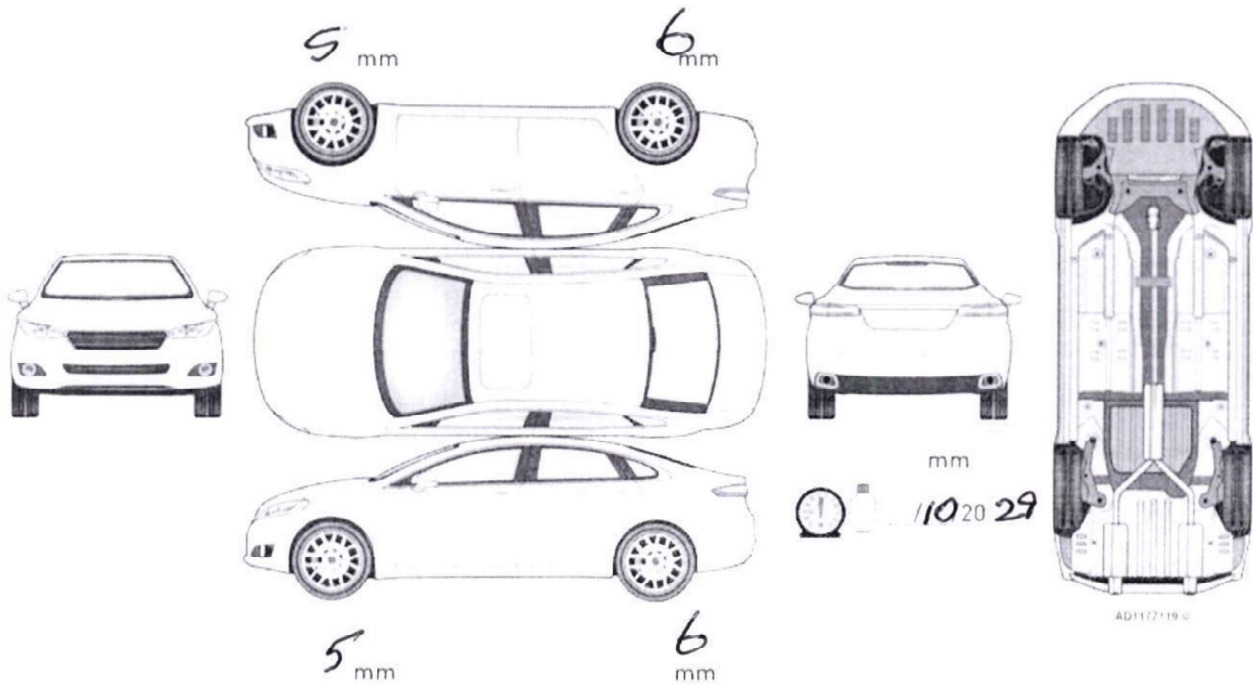
Engine coolant/antifreeze - Check/top-up

Air conditioning deodoriser - Apply !

At customer's request

Cabin filter - Renew !

Upgrade options for the cabin filter may be available



Notes/Comments:

Technician's signature



Appendix G

Date 8/5/24

©Copyright and database rights: Autodata Limited 1972-2024.

